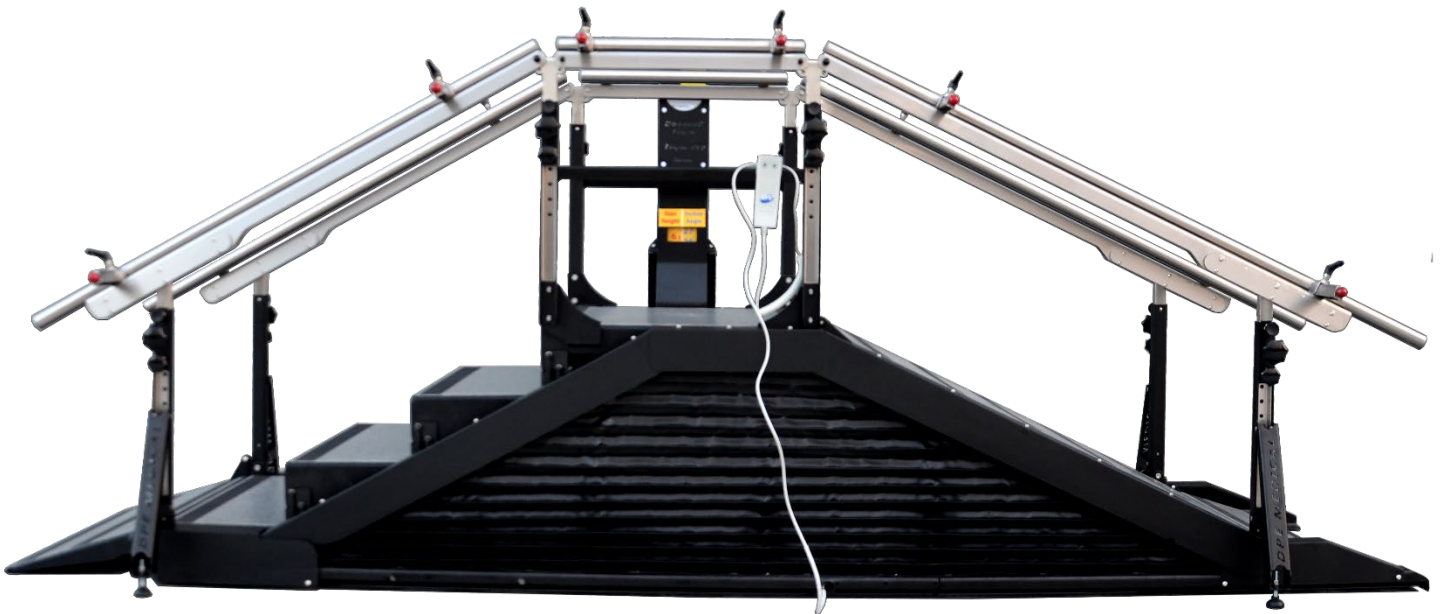




# **DST8000 Triple XL**

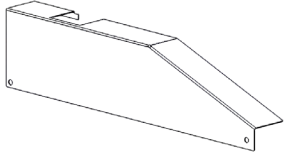
## Unpacking and Assembly Instructions



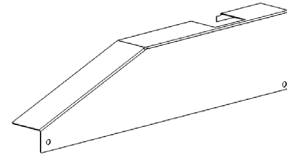
(ver-01)

Index of parts:

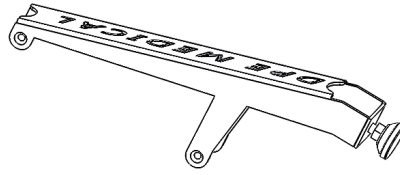
Part #1 - right small slope cover x1



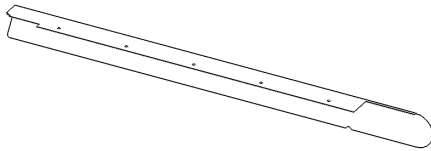
Part #2 - left small slope cover x1



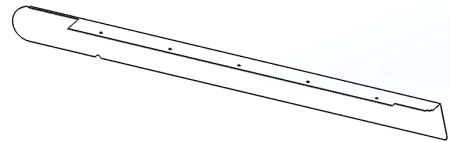
Part #3 - diagonal reinforcement x4



Part #4 - left long slope cover x1



Part #5 - right long slope cover x1



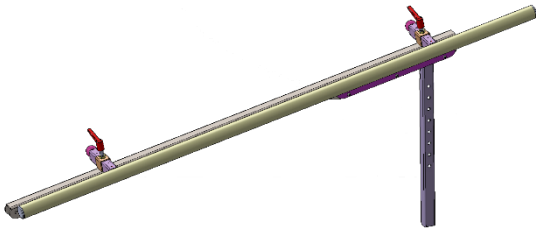
Part #6 - Stair rail-left x1



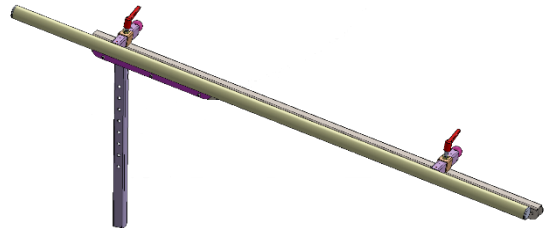
Part #7 - Stair rail-right x1



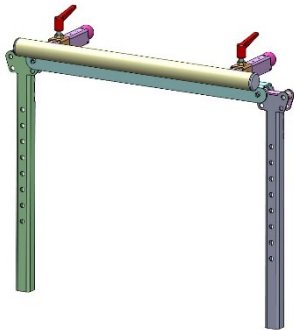
Part #8 - Slope rail-left x1



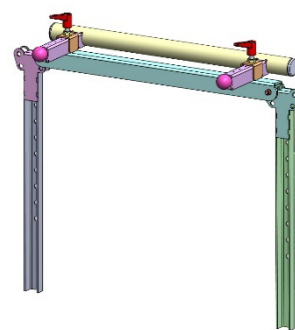
Part #9 - Slope rail-right x1



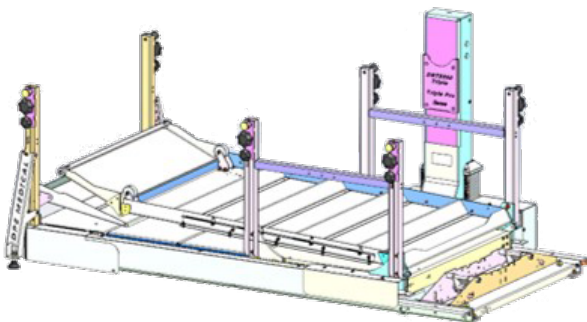
Part #10 - Middle rail-left x1



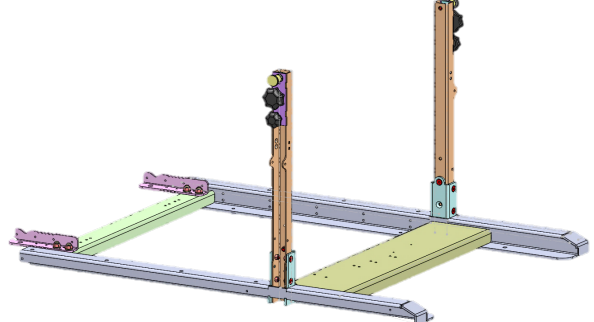
Part #11 - Middle rail-right x1



Part #12



Part #13



### Important



- A. It is essential to carefully read these instructions before assembling the device.
- B. If you have any questions or if you are uncertain how to proceed, stop and contact support at: [info@dpemed.com](mailto:info@dpemed.com).
- C. Pictures may vary, depending on your model.
- D. Two people are needed to assemble the device.

1. Each package has a drawing attached to it. Remove the part from the package **only** when needed for assembly.

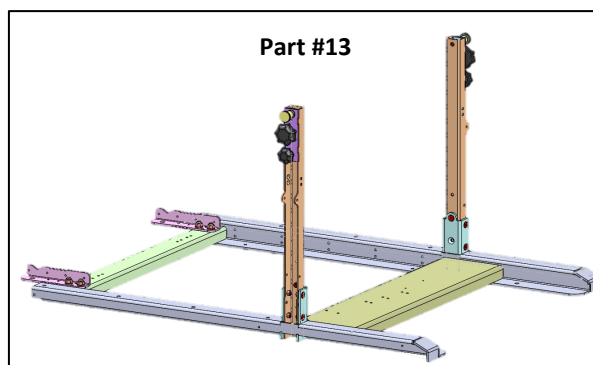
Example for parts' packaging



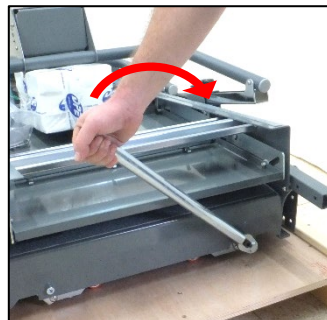
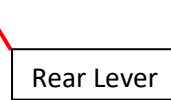
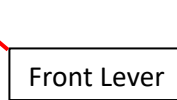
2. Each part has its bolts and nuts for assembly in its package. You will find some extra nuts and bolts packed with a note: "Spare". Tools needed for assembly are in the crate.
3. Start by removing the top of the crate. It will be used as a ramp to roll off the main part from the crate's floor.
4. Remove the wall below:



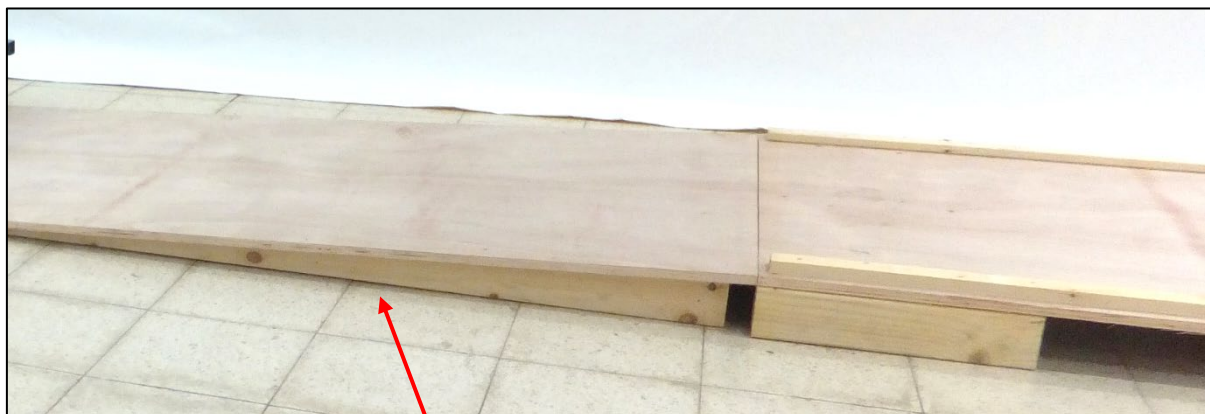
5. Now lift **part #13** 32 inches (80 cm) up and take it out of the crate. Carefully place it on the floor. This part weight 79 lbs. (36 kg) and requires two people to lift.



6. Remove the remaining walls of the crate.
7. Take out all wrapped parts. **Leave them in their packages until they will be assembled.**
8. **Part #12** (main part of the DST Triple, which is now on the crate's floor), has retractable wheels. Take out the Lifting handle from the front ramp and lift the unit on its wheels by turning the front and rear levers.



9. Use the top of the crate as a ramp and roll off the main part to the floor. Locate the main part at its final position in the room. **After completing the assembly of the DST Triple, it is impossible to move it.**

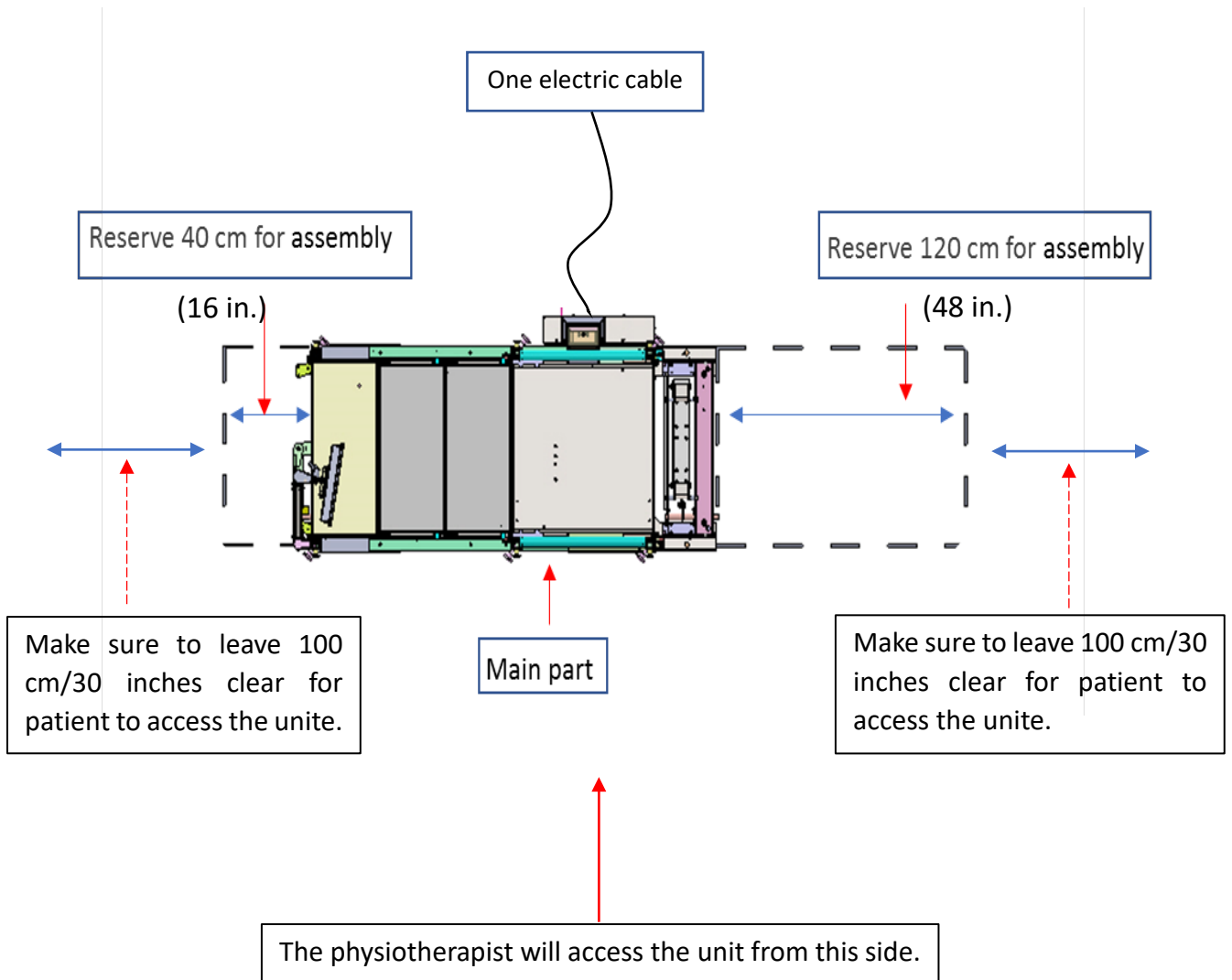


Crate top used as a ramp.

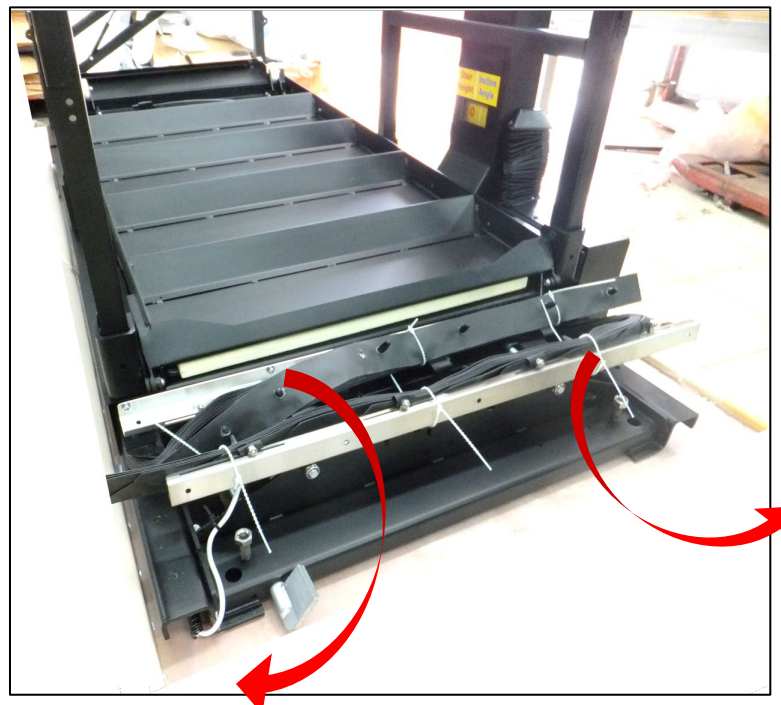
10. **Important:** retrack the wheels when the main part is in its final location.



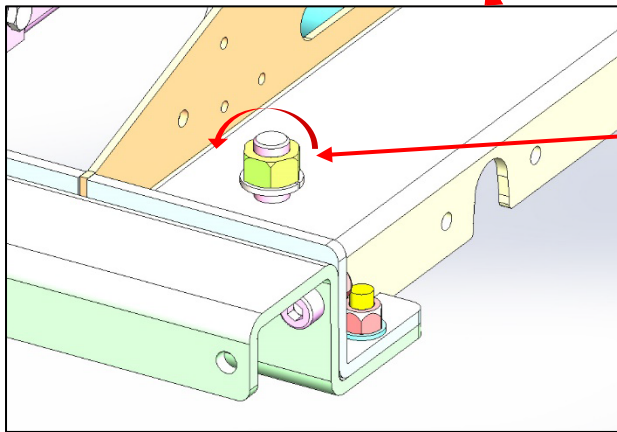
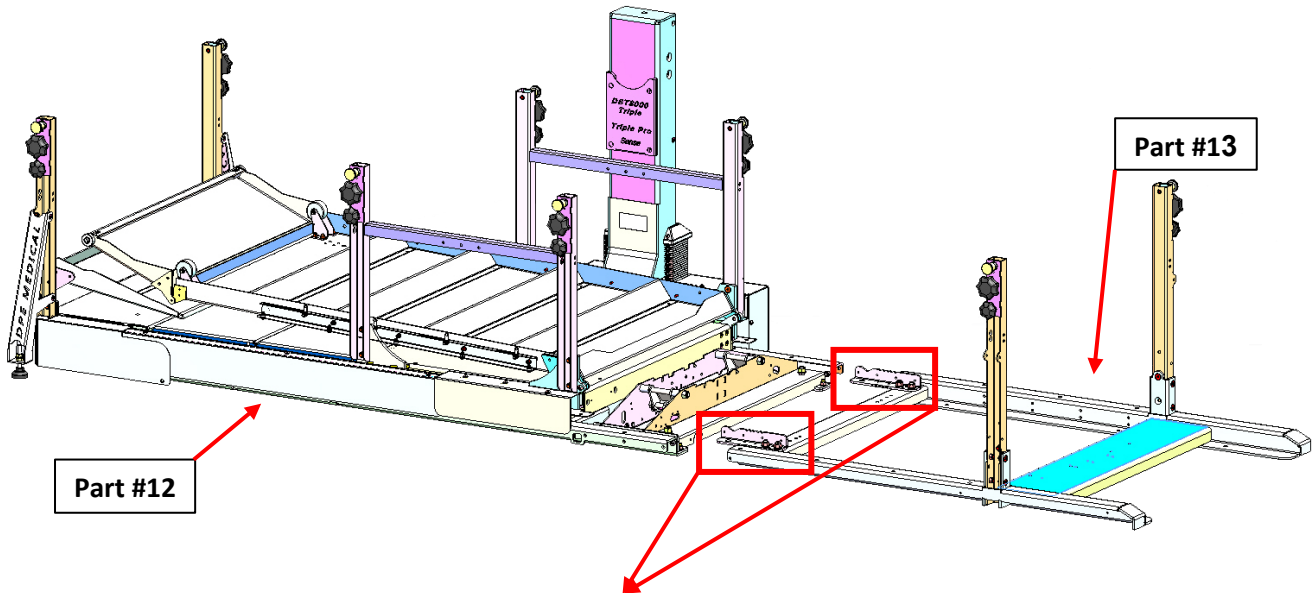
11. Instructions where and how to locate the device in the room:



12. Move the rapped black bellow aside, parallel to the device.

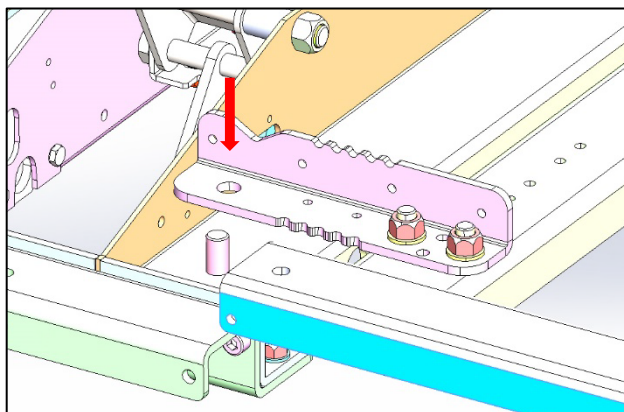


13. After placing **part #12** at its final location and **retracting its wheels**, connect **part #13** as shown.



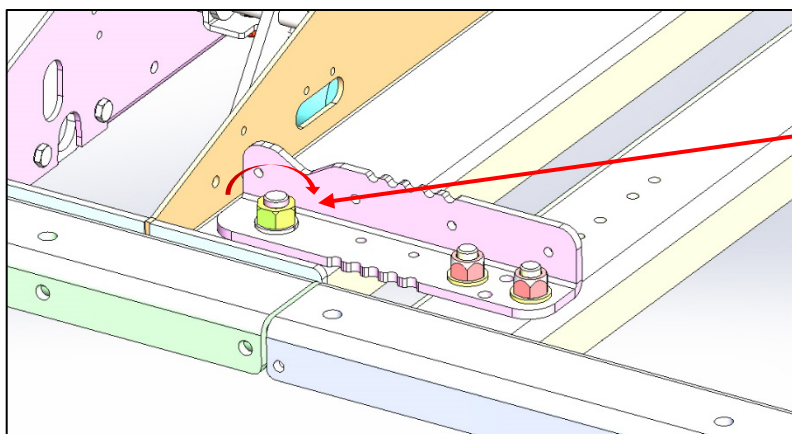
**B**

Remove the nut and spring washer on both sides.



**C**

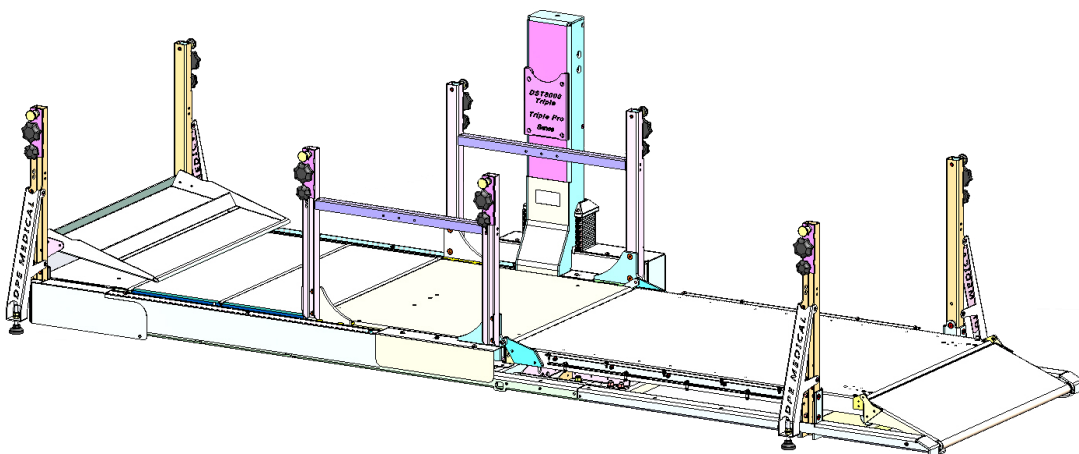
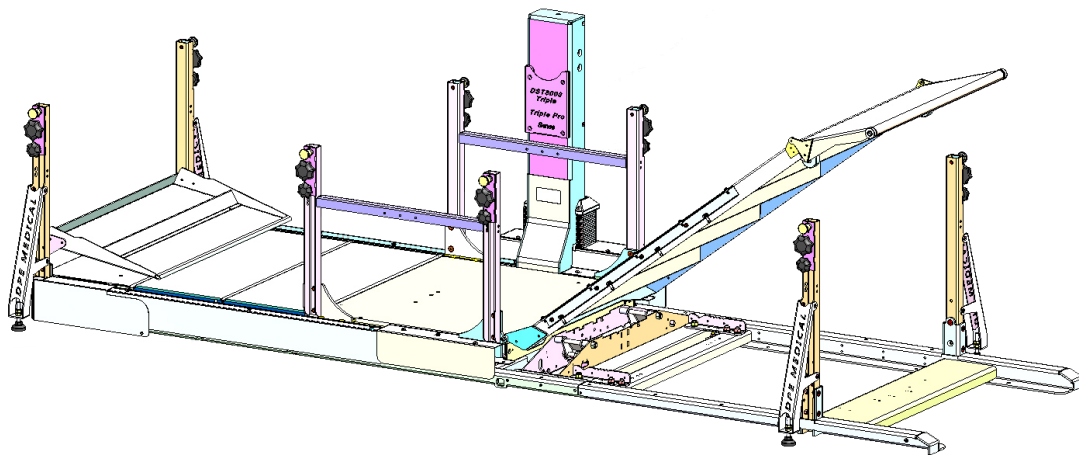
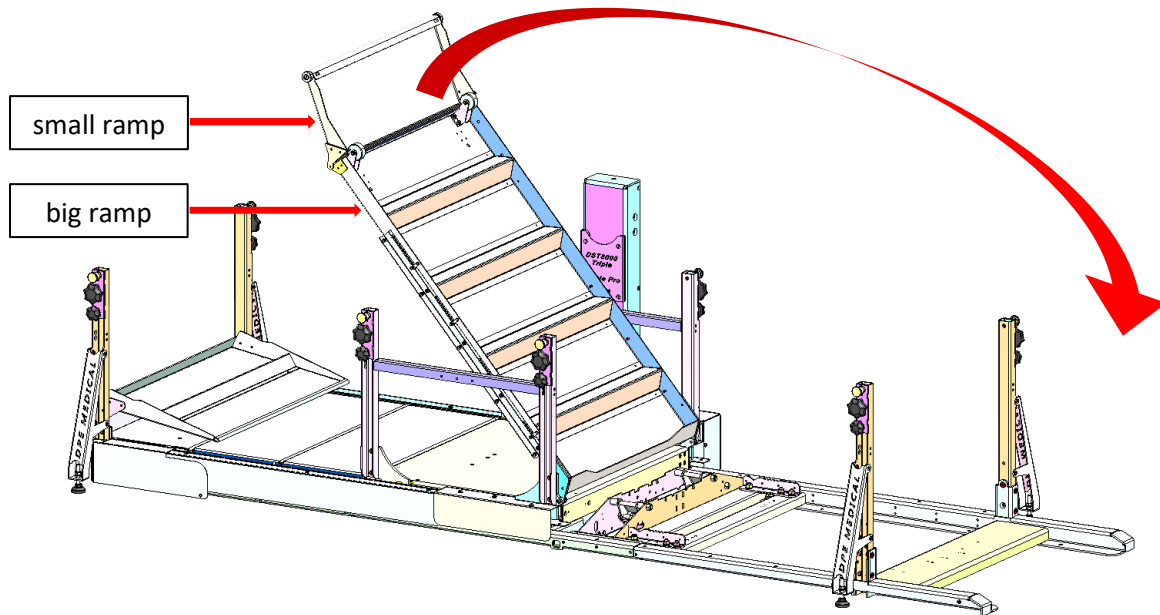
Place **part #13** as shown. Make sure both sides of the part are located the same.

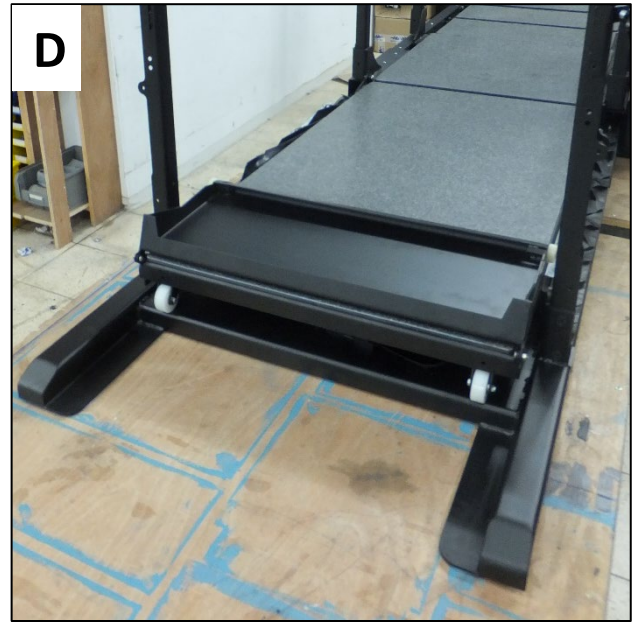
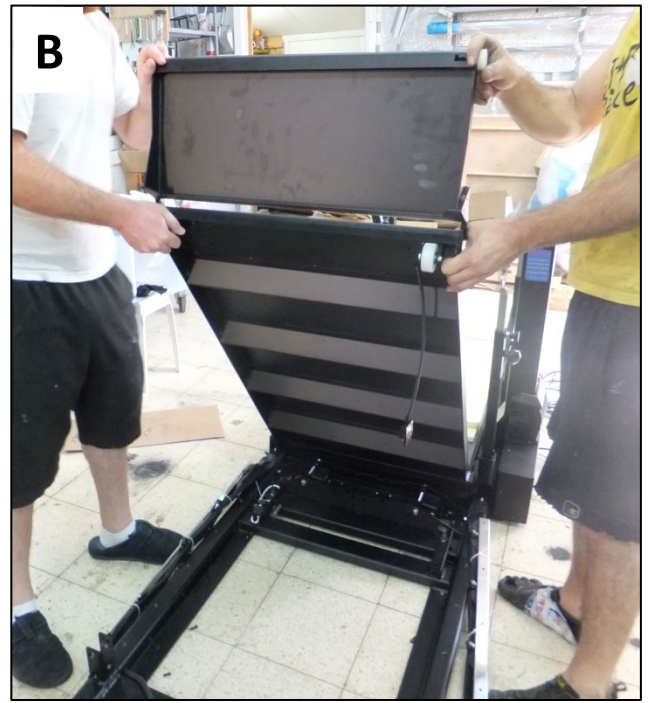
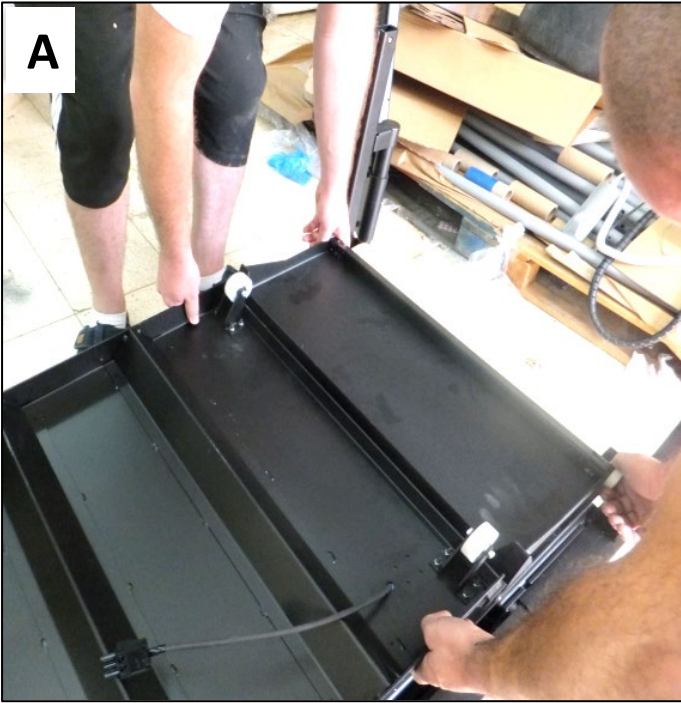


**D**

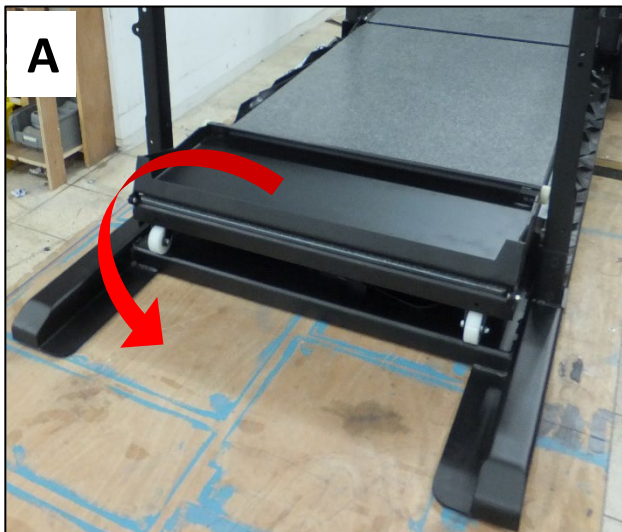
Tighten the spring washer and nut back on both sides.

14. unfold the main slope. This part consists of two slopes – a big ramp and a small one connected to it.
- Make sure to hold both ramps when unfolding the part.
  - Two people are needed for this action.
  - Mind not to pinch your fingers.
  - For your convenience – both illustration and photos of this action are attached.





15. Unfold the little ramp.





16. Remove the white zip ties and press the black fasteners of the bellow into the holes located on the frame of the slope.

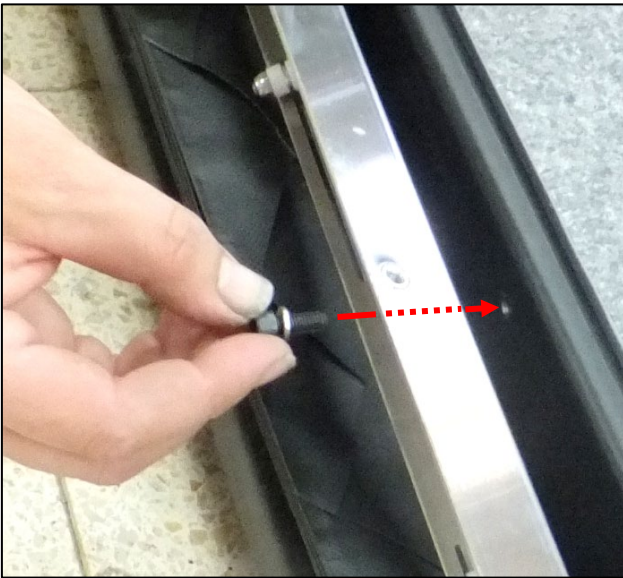
Remove the white zip ties.



Insert the bellow's black press-fasteners to the appropriate holes in the frame.



17. Connect the bellow track to the big ramp by placing and tightening the bolts with the spring washers. Repeat this action on both sides of the ramp. The necessary bolts and washers are attached to each track.

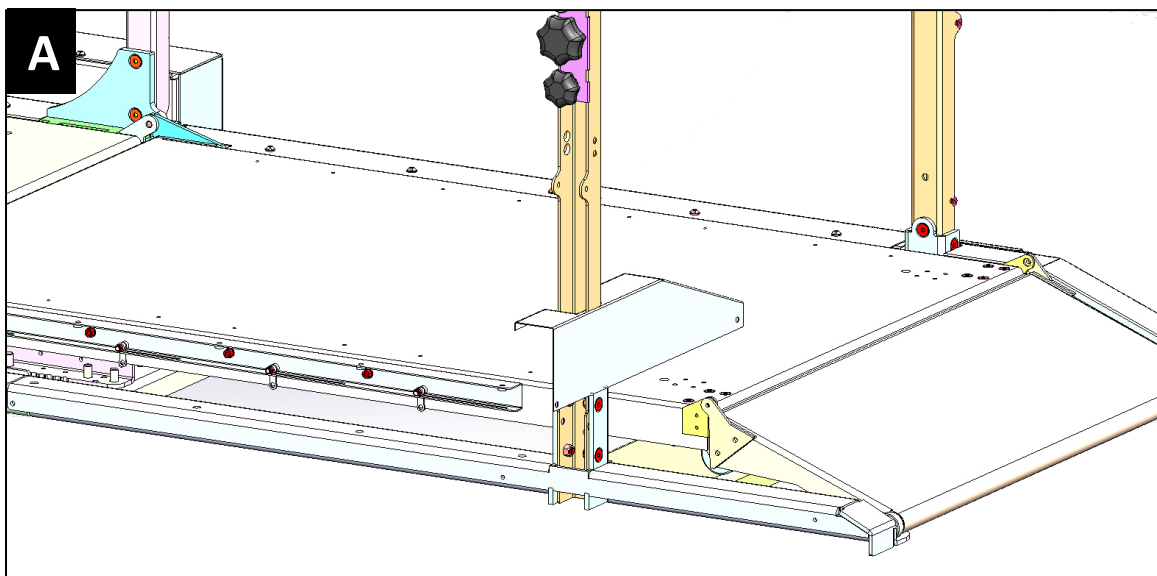


Overview when the bellow is assembled:

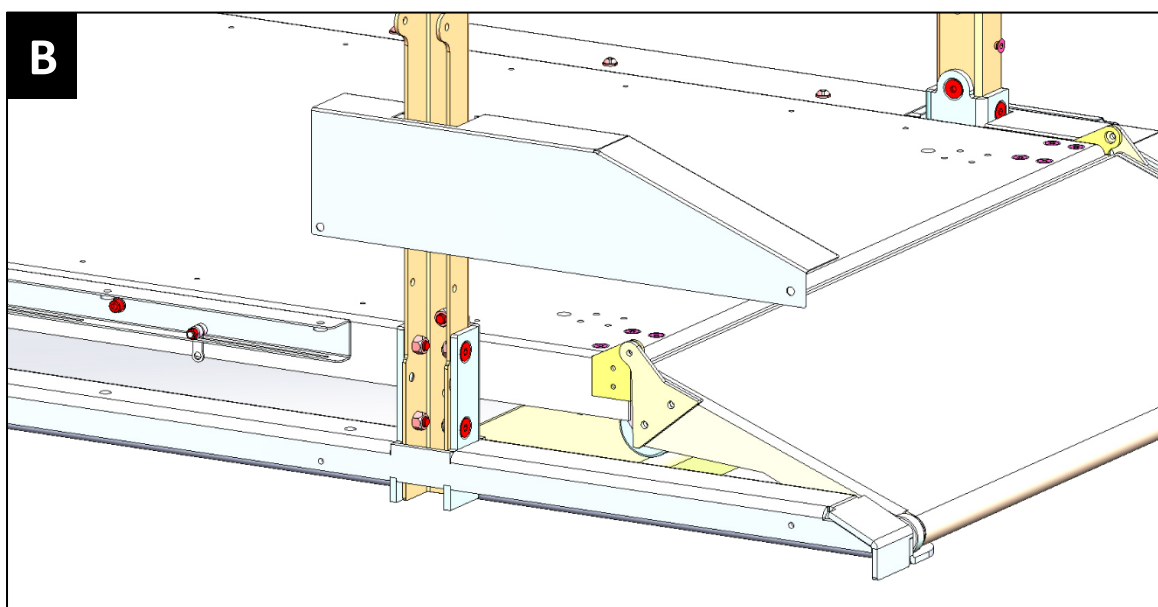


18. Assemble **part #1** (right small slope cover) as shown. Repeat this action on the other side of the ramp with **part #2**.

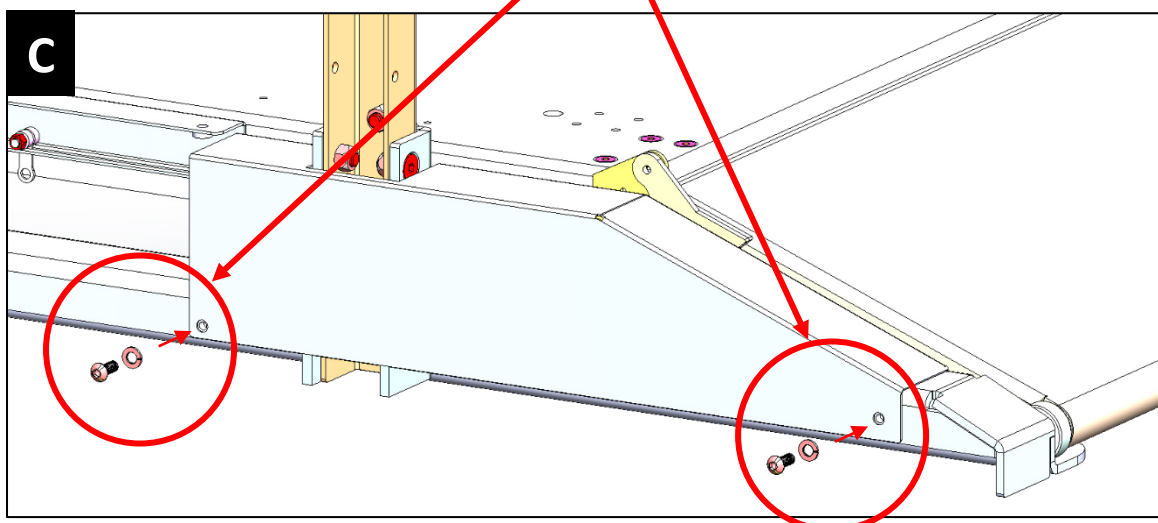
A - Insert **part #1** to the external post as shown.



B - Turn **part #1** clockwise and lower it as shown.

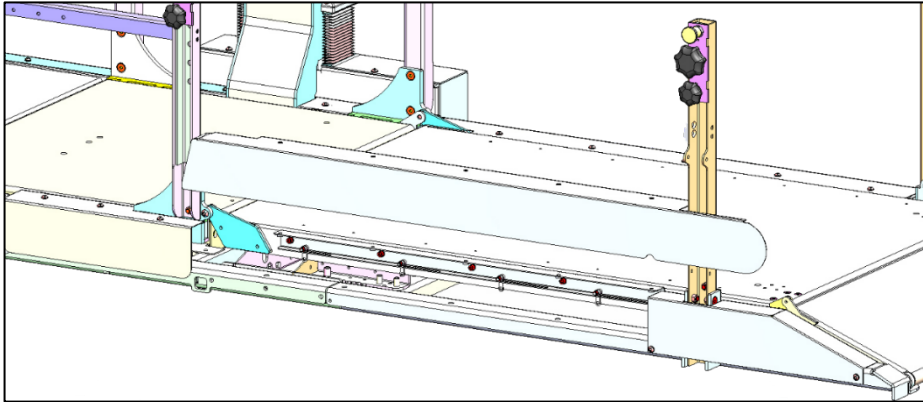


C - Insert bolts with the spring washers and tighten.

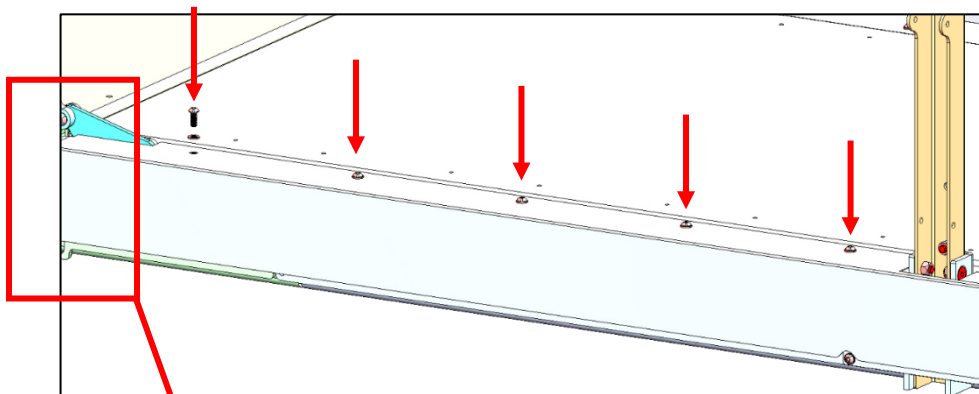


19. Assemble **part #5** (right long slope cover) as shown.

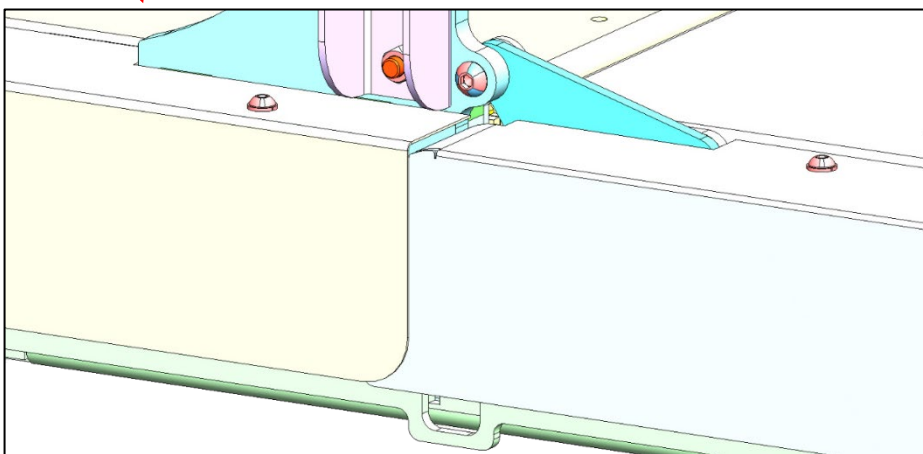
Place the part as shown.



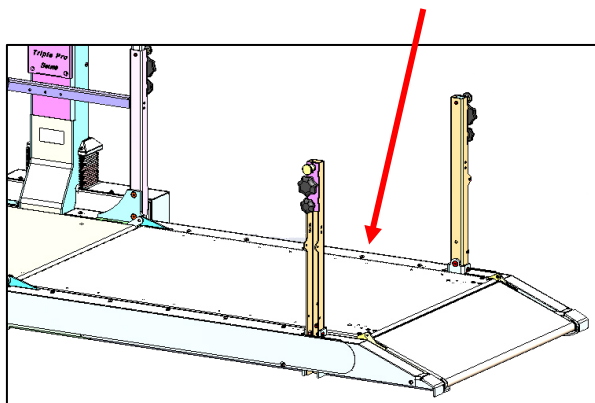
Place and tighten all 5 bolts with the washers.



Make sure the part is located appropriate, as shown.

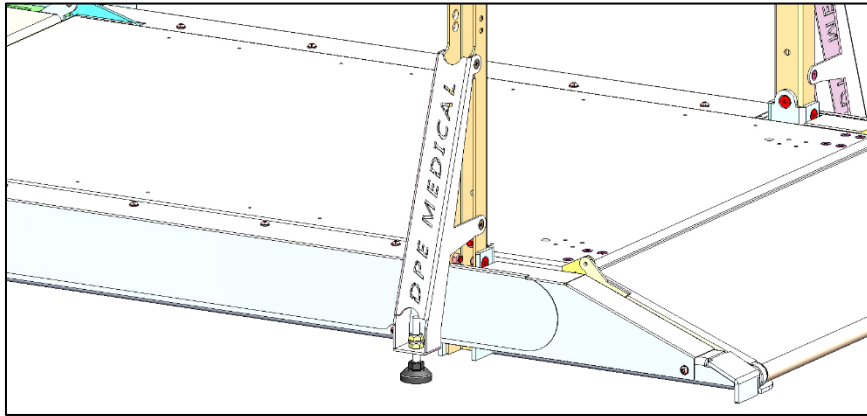


Repeat the same action on the other side with **part #4**.

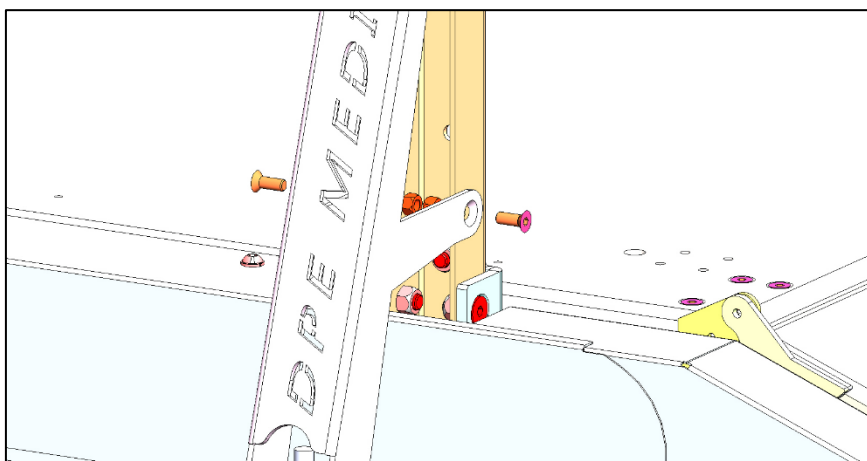
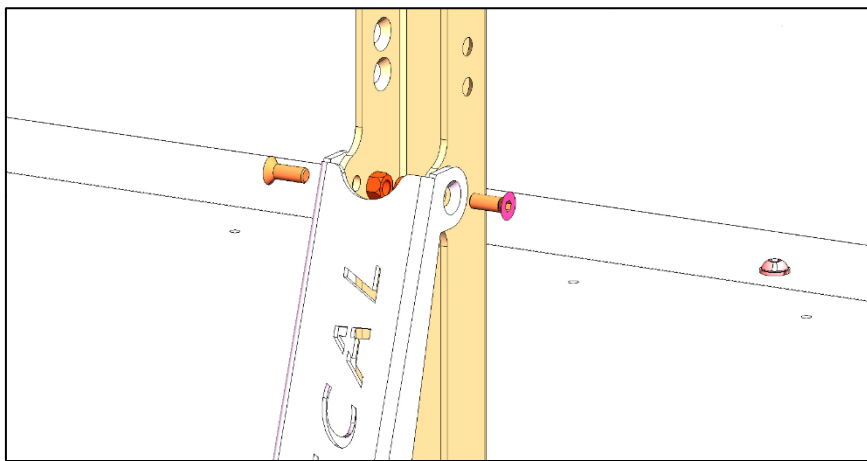


20. Assemble **part #3** (diagonal reinforcement) as shown.

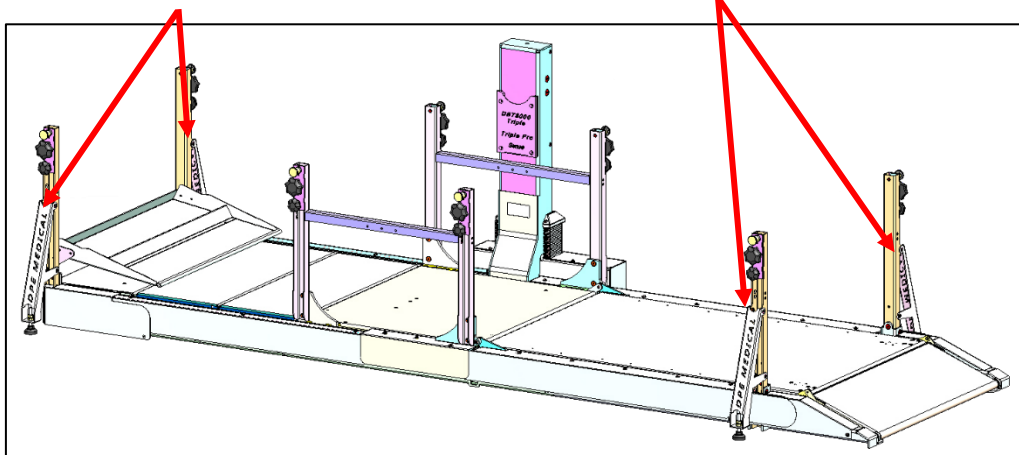
A – Place **part #3** as shown.



B – place and tighten the 4 bolts and nuts as shown.

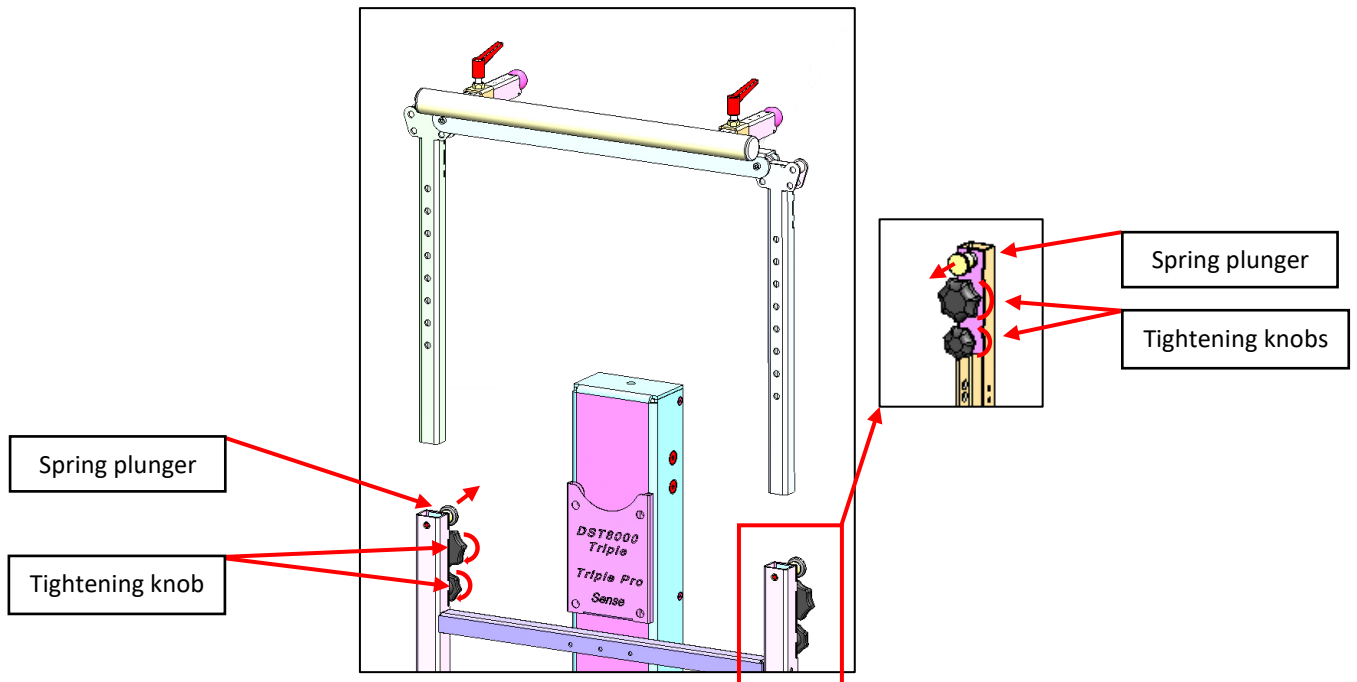


Assemble the remaining 3 Diagonal reinforcements in the same way.

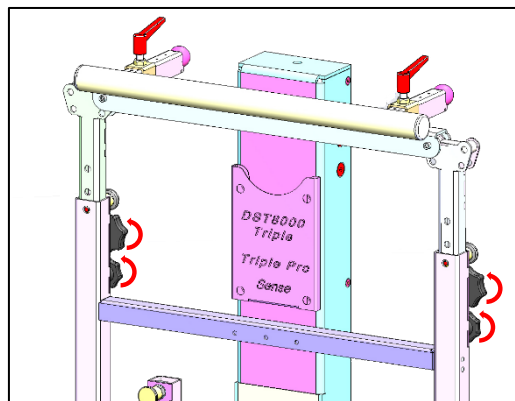


21. Assemble **part #10** (middle rail-left)

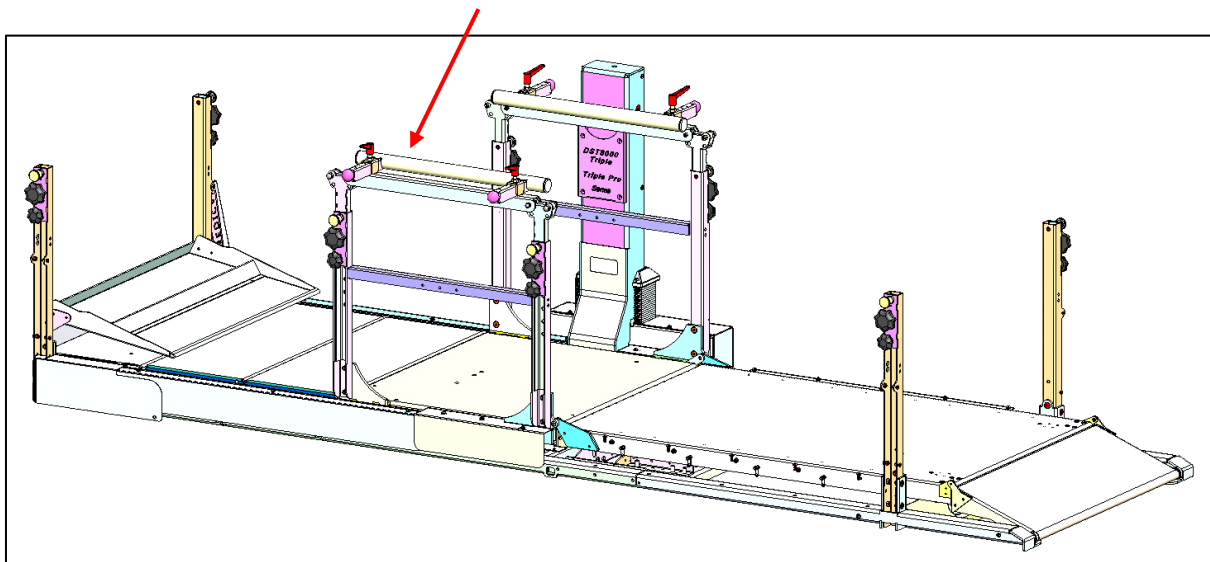
Release the 4 tightening knobs, pull the spring plungers, and insert the poles into the columns.



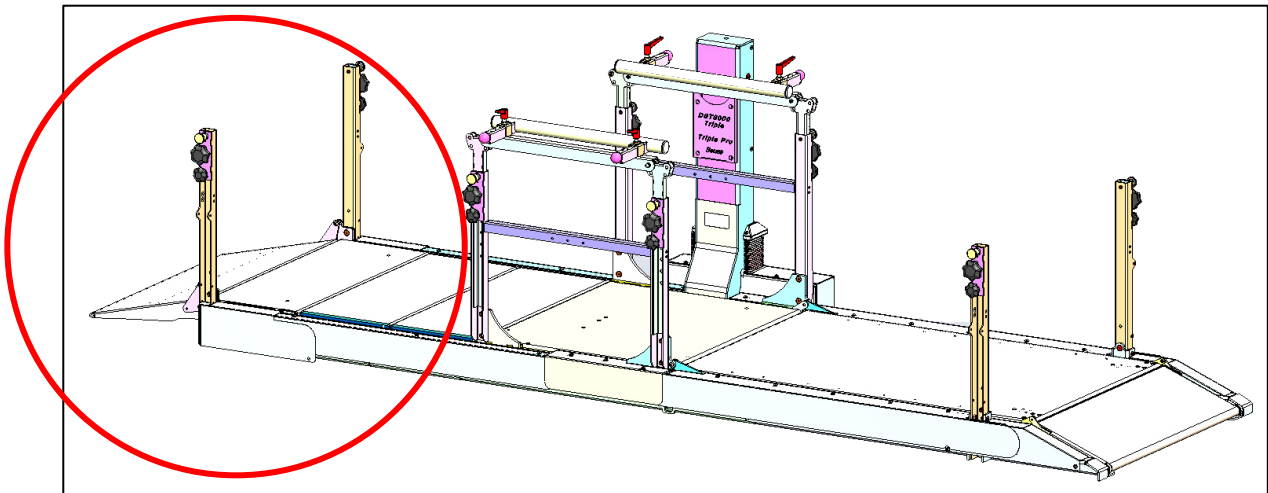
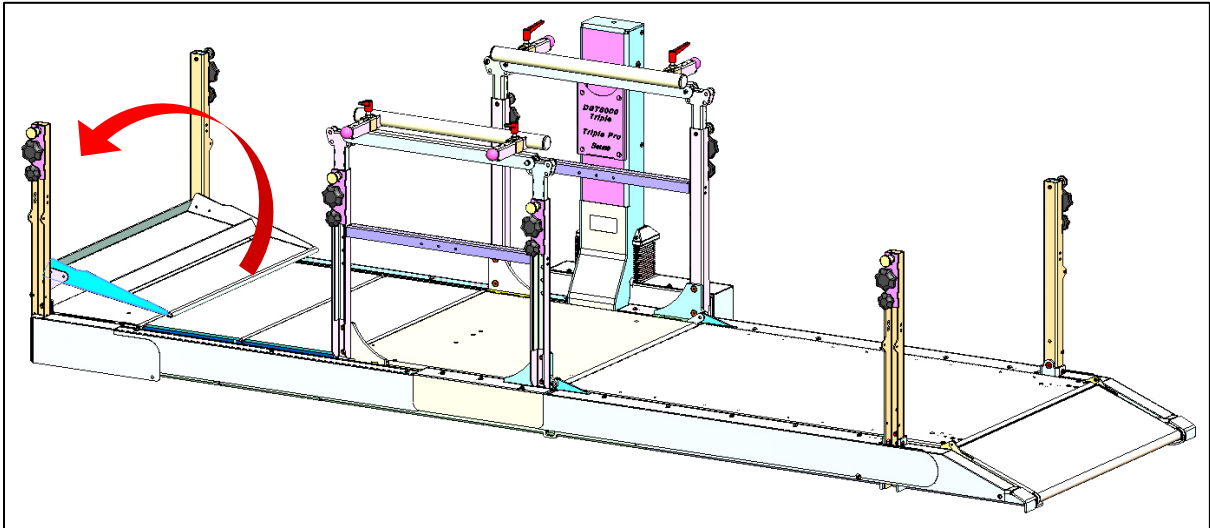
After **part #10** is in place, tighten all 4 tightening knobs.



Assemble **part #11** on the other side.

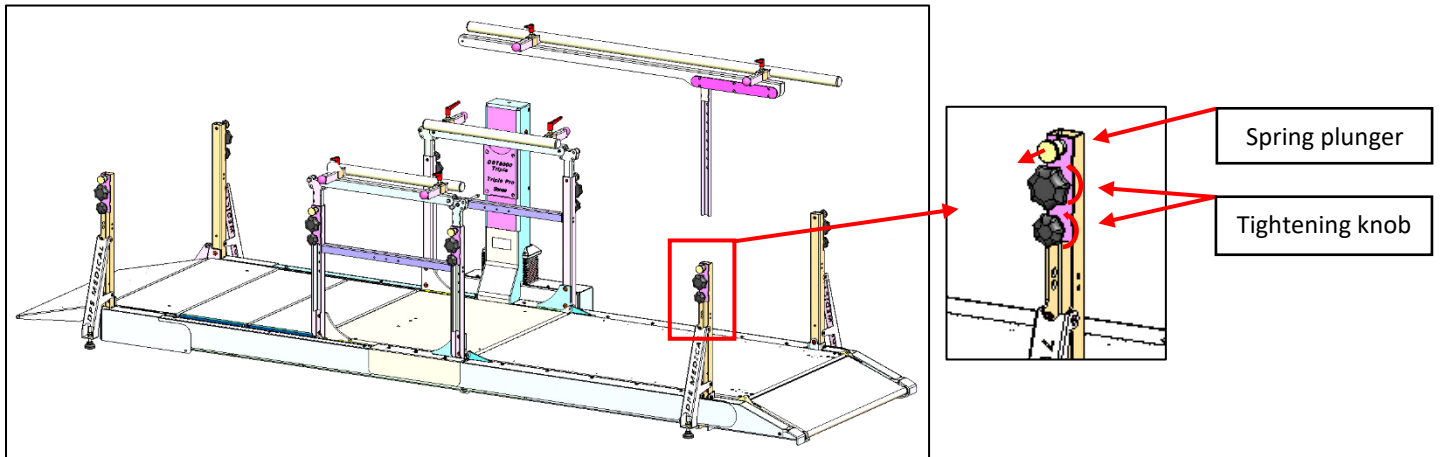


23. Unfold the stairs' access slope.

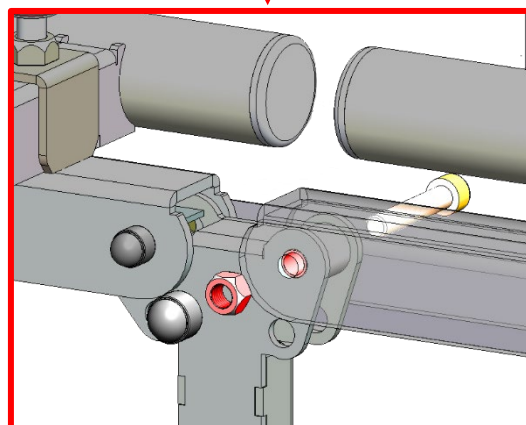
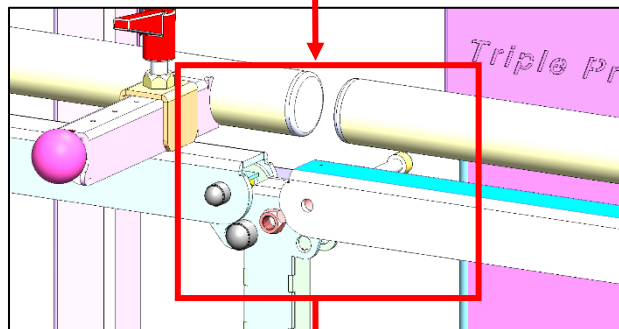
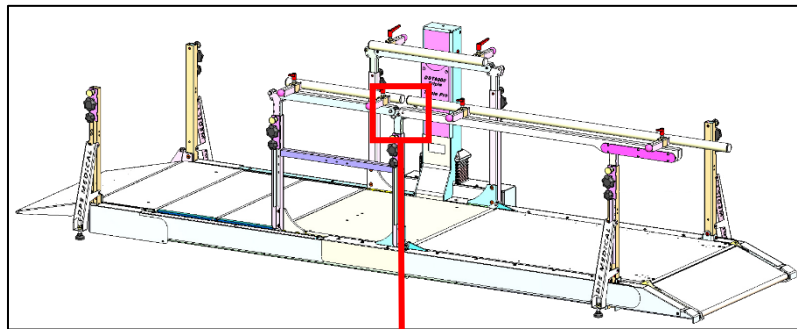


24. Assemble **part #9** (stair rail-right).

Release the 2 tightening knobs, pull the spring plungers, and insert the poles into the columns.

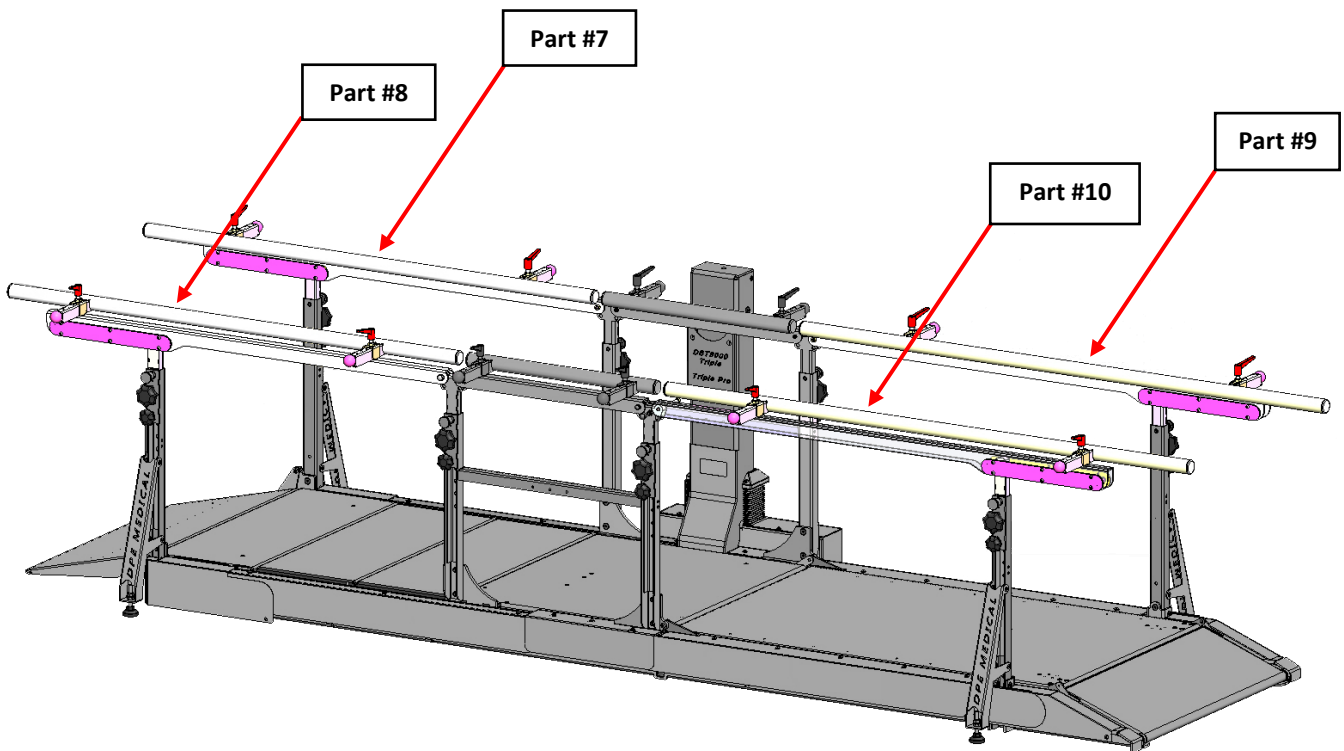


Connect the other side of **part #9** as shown.

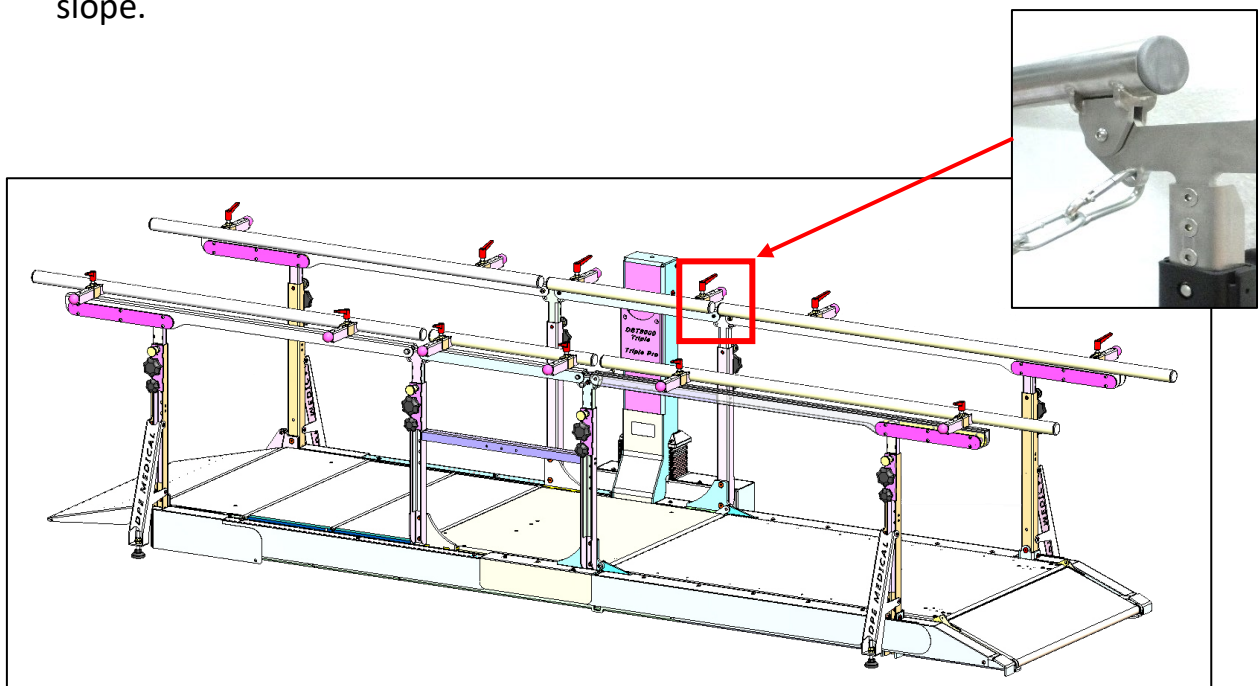




Assemble all other handrails at the same way. See parts location:



25. If needed, a chain is available to prevent patients from going down the slope.



**Double-check your assembly.**

26. Connect the plug to the wall outlet and continue with the User Guide.

